



Keystone
ENERGY TOOLS

THE GG 350 TON BOTTLENECK ELEVATOR
OPERATING PROCEDURE MANUAL

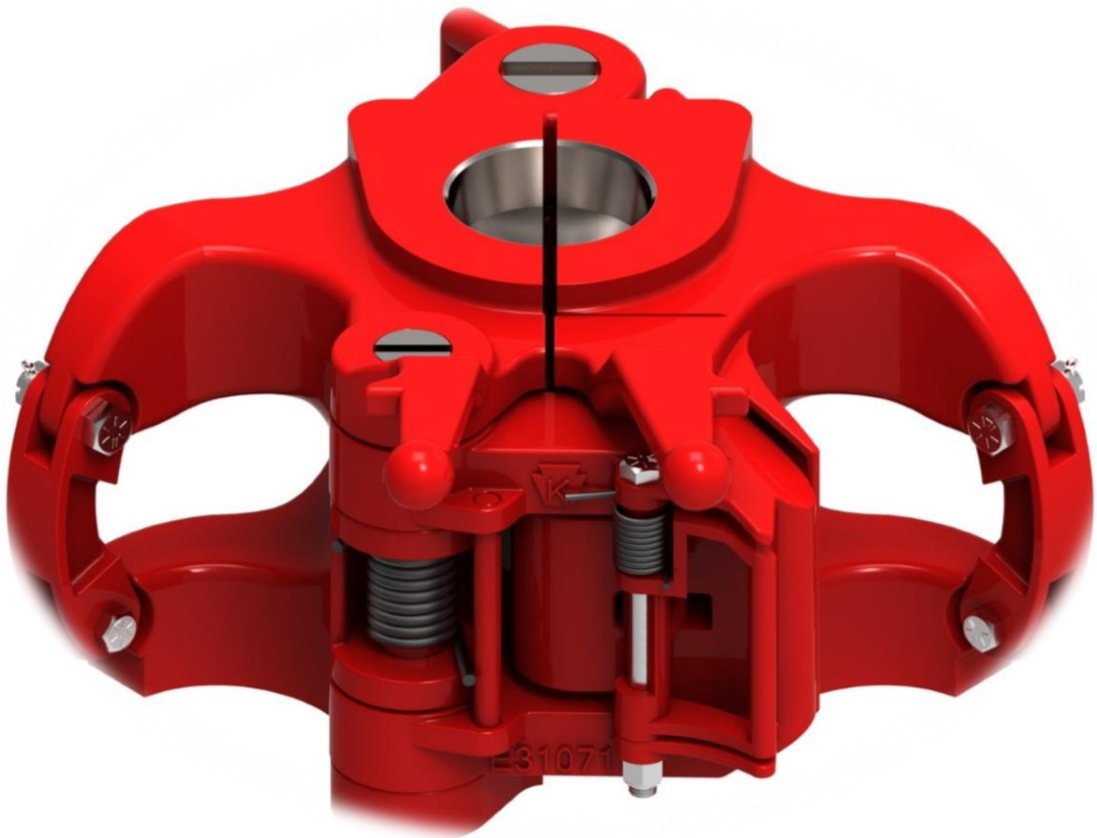


Table of Contents

Table of contents	2
Safety instructions	3
vertical vs horizontal lifts	3
Safety instructions	4
1.0 Introduction	5
Figure 1 – GG model chart	5
CE Marking	5
2.0 Operation	6
Figure 2 – installing bails	6
Figure 3 – operating latch lock	6
Figure 4 – opening elevator	6
Link block bolt installation	7
3.0 Maintenance & Inspection	8
Figure 5 – maintenance locations	8
3.0 Maintenance & Inspection	9
Figure 6 – maintenance frequency chart	9
4.0 Repair	10
5.0 Critical area drawings	11
Figure 7 – critical area map	11
6.0 Technical drawings	12
7.0 Replacement parts	13
8.0 Wear data	14
9.0 Bore and tool joint wear data	15
10.0 Reception, storage, transport, & decommissioning	16
Certificate of warranty & guarantee of quality	17
Manufacture information & revision history	18

"GG" SERIES ELEVATOR

SAFETY INSTRUCTIONS

The most important safety device for this tool is **YOU**. Your good judgment is the best protection against injury.

⚠ WARNING



To reduce the risk of injury, everyone using, installing, performing maintenance, changing accessories on, or working near this tool must read and understand these instructions before performing any such task.

Operating Hazards

⚠WARNING: Do not overload the elevator. Overloading the recommended rating could cause series injury or death.

⚠WARNING: Check the latch for proper engagement. A malfunctioning latch could cause the elevator to unexpectedly unlatch or not latch at all resulting in injury or death.

⚠WARNING: Always ensure that the elevator and bore code are correct for the tubular it is to be used on. Failure to use the proper elevator and bore code could result in injury or death.

⚠WARNING: To prevent injury or elevator malfunction, inspect the elevator bore, latch, hinge pin, and latch pin regularly for wear. Failure to inspect these parts could cause injury or death.

⚠WARNING: Do not use oversized pipe. Using oversized pipe could make it difficult or impossible to properly latch the elevator.

⚠WARNING: Do not use undersized pipe. Using undersized pipe could cause an inadequate load bearing area and uneven stress distribution. Both of which may result in injury or death.

⚠WARNING: Do not use the elevator if the latch or latch lock is malfunctioning. Latch or latch lock failure, may result in injury or death.

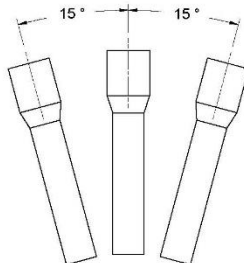
⚠WARNING: All warning labels attached to the equipment must be observed. The warning labels must be present on the tool. Do not remove the labels. If they are missing, replacing is mandatory.

⚠WARNING: The company operating the tool is responsible for issuing work instructions for safe and proper use of the equipment.

⚠WARNING: The operating company is responsible for verifying that any personnel operating, servicing, inspecting, or otherwise involved with the use of the tool must be properly trained correctly.

⚠WARNING: The lifting of vertical pipe is to be performed carefully and must be monitored. The picking up of non-horizontal pipe is dangerous and not permitted.

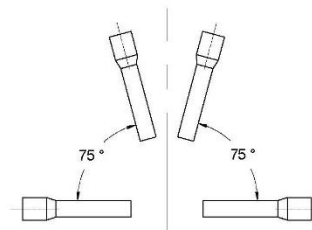
Vertical / Non-vertical Lifting



Vertical lifting is considered vertical $\pm 15^\circ$



Non-vertical lifting is considered $\leq 75^\circ$ as max. from horizon.



"GG" SERIES ELEVATOR

SAFETY INSTRUCTIONS

The most important safety device for this tool is **YOU**. Your good judgment is the best protection against injury.

⚠ WARNING



To reduce the risk of injury, everyone using, installing, performing maintenance, changing accessories on, or working near this tool must read and understand these instructions before performing any such task.

Workplace Hazards

⚠WARNING: keep hands fingers clear of the elevator bore when installing the elevator around the pipe.

⚠WARNING: Always use the proper tools and wear eye, head, hand, and foot protection when servicing this elevator.

⚠WARNING: Maintain a balanced body position and secure footing.

⚠WARNING: For professional use only.

Maintenance Hazards

⚠WARNING: Use only Keystone Energy Tool components on equipment. Failure to do so may affect the correct functioning of the tool and may cause injury or death.

⚠WARNING: KET equipment is made of cast alloy heat treated steel and should never be welded on in the field. Improper welding can cause cracks or brittleness in the castings which could result in drastic weakening or failure of the equipment. Any welding or machining must be performed by an authorized KET or API certified repair center.

⚠WARNING: Improper welding and/or re-machining of cast alloy heat treated steel can cause personnel injury, property damage, or death.



Read Operation manual before use.



Pay attention: do not place your hands between moving parts.



DO NOT lift from this area.



Be careful when lifting from these areas.



1.0 Introduction

This manual contains operation and maintenance instructions for the Keystone Energy Tools (KET) GG series, bottleneck and center latch elevators for handling 18 degree external upset drill pipe with assembly drawings and complete parts breakdown. It provides a guide for proper field use, disassembling and repair.

(KET) GG series elevators are designed to fit the contour of 18 degree type drill pipe. They are balanced making them easy to handle as well as easy to latch on or take off at any point below the upset of the pipe. GG series elevators are made of high alloy-heat treated steel and designed to meet or exceed API specifications.

The GG elevator is only intended for lifting of vertical pipe and not intended for use on horizontal pipe. (See diagram on page 4). Lifting of horizontal pipe is **NOT PERMITTED** by the manufacturer.

If the operator considers to use the elevator for other operations other than the intended use (for example: lifting of horizontal pipe), it is mandatory to make an additional risk analysis.

The GG series elevators include safety features such as guarded operating handles to help prevent injury to operators and an extra handle at the rear of the elevator for easier, safer operation.

⚠WARNING: These handles are the only places the tool can be handled safely during operations.

The GG series elevators incorporate a latch and safety latch lock combination. The size range of the GG elevator is as illustrated in the table provided.

(See Figure 1)

Model	Tons	Range
GG	350	3 1/2" - 6 5/8"

Figure 1

NOTE ⚠WARNING: labels have been installed at critical areas on the tool. Familiarize yourself with their message and locations before proceeding to operate equipment.

See Safety Instructions Page 4

⚠WARNING: During use, the elevator should never be run into the tool joints or couplings inducing any type of shock load into the equipment. Shock loads are an impact-type force applied over a short instant of time. In shock loading, the energy of the applied force is ultimately absorbed, or transferred, to the elevator designed to resist the force. The application of shock loads to an elevator can cause shock/fatigue stress loading potentially resulting in premature stress/fatigue failure.



CE Marking

The tool complies with the Machinery Directive 98/37/EC and 2006/42/EC

This operating manual is a part of the technical documentation for the product.

The EC Declaration of Conformity is delivered together with the product. Keep these instructions and the associated documents for later use.

2.0 Operation

As with any manual operated elevator, the GG series is easily installed by the user. Perform the actions described below after the elevator is hoisted to the rig floor and properly positioned.

- Remove cotter pins and nuts from the link block bolts and then remove the bolts from the elevator.
- Lift the bottom of the link blocks and hook the small end of the links through the link blocks and link arms. (See figure 3)
- Lower the link blocks and re-install the link block bolts, nuts and cotter pins.

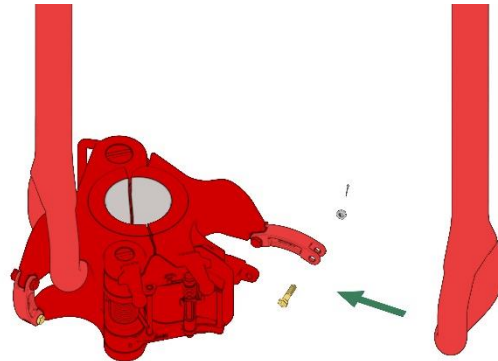


Figure 2

The operation of the GG series elevator is straightforward.

The door is opened by gripping the latch lock and pulling outward. This automatically releases the latch and latch lock assembly so the elevator can be positioned on the pipe. When the elevator is properly closed around the pipe, the latch locks automatically. (See Figure 4 & 5)

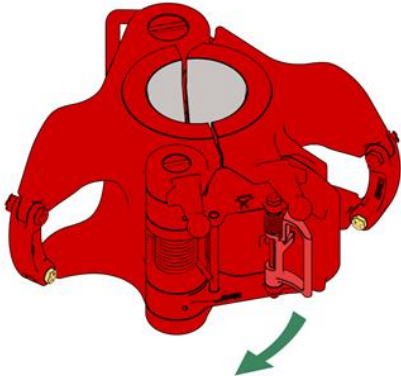


Figure 3

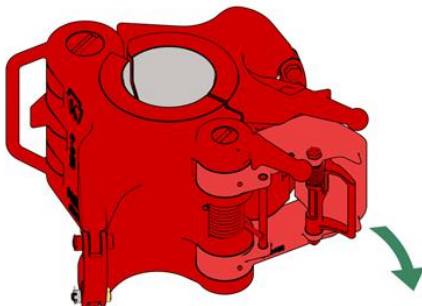
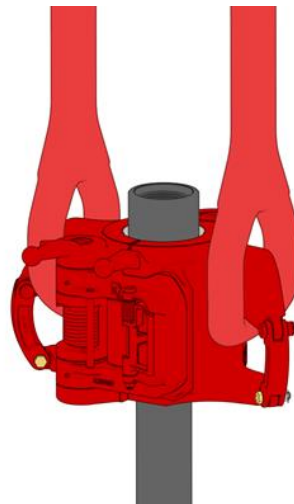


Figure 4



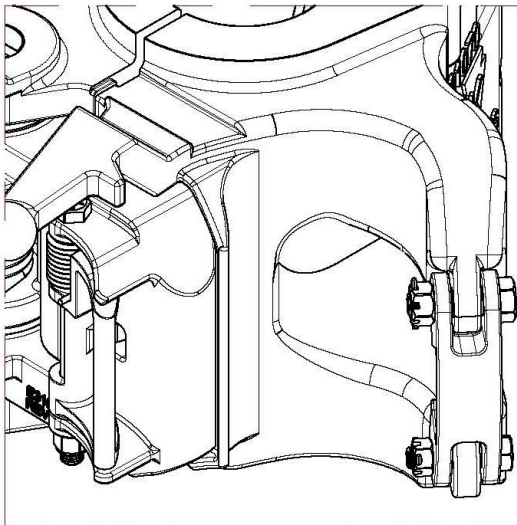
2.0 Operation

When installing the upper and lower link block bolt, castle nut, and cotter pin, the bolts must be inserted from the front of the elevator so that the head of the bolt is on the latching side of the elevator, and the castle nut and cotter are on the hinge side of the elevator.

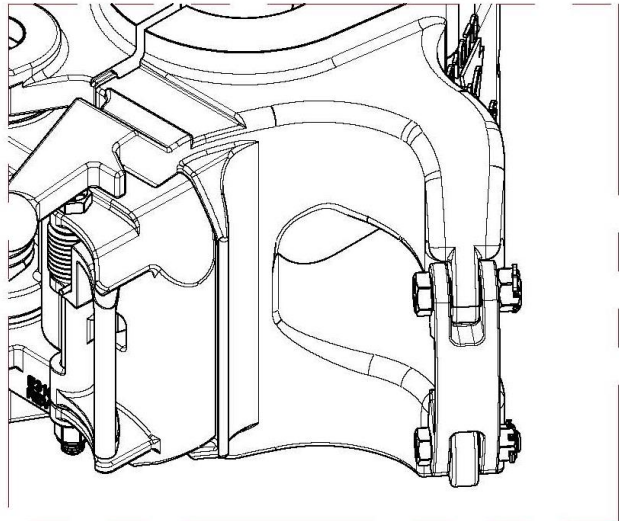
See the illustration below, showing the correct and incorrect method of installing the upper and lower link block bolts on the IB-G Series Elevators.

⚠WARNING : Failure to follow these installation requirements can cause severe bodily injury and/or death.

LINK BLOCK BOLT INSTALLATION



WRONG
WAY



RIGHT
WAY

Keystone ENERGY TOOLS

3.0 Maintenance & Inspection

Below is a diagram of each elevator maintenance location located on the GG elevator. See figure 5.

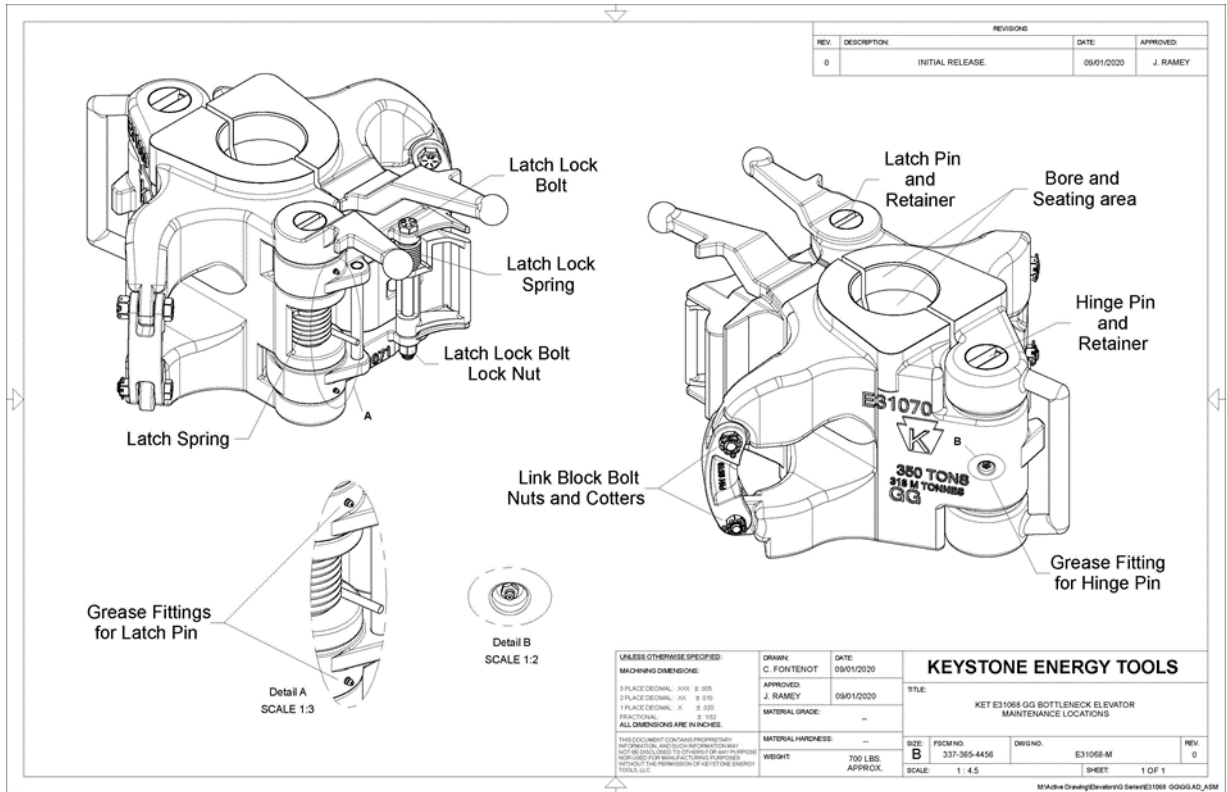


Figure 5

To ensure optimum performance, perform the below-listed daily checks.

- Visually inspects for cracks, loose fits or connections, elongation of parts, and other signs of wear, corrosion or overloading.
- Loose or missing components, deterioration, proper lubrication, and adjustment.
- Check for worn hinge pin, latch pin and latch lock pin. These may inhibit proper closing of the door and latch lock engagement.
- Check for proper operation of Latch Stop mechanism. Latch should not stop against the door when closed but have no more than 1/4" of standoff from the door. Check springs for damage, deformation, and lack of tension.
- Check link block bolts for nuts and cotter pins.

3.0 Maintenance & Inspection

The owner/user of the equipment should develop schedules of inspection based upon experience, manufactures recommendations, and one or more of the following factors:

- ▶ Environment
- ▶ Load Cycles
- ▶ Regulatory requirements
- ▶ Operating time
- ▶ Testing
- ▶ Repairs
- ▶ Remanufacture

Proof Load Test shall be performed only once following manufacture or remanufacture. This is by applying a load equal to 1.5 times the rated load for a period no less than 5 min. A proof load test shall be followed by surface NDT no earlier than 24 hrs. after proof of testing.

Lubricate the elevator regularly during usage and storage to prevent corrosion. Use an extreme pressure, multi-purpose, lithium base grease of No. 1 or No. 2 consistency or a lubricant that meets MIL-SPEC-A907E.

When greasing of pins make sure the pump grease until it comes out of both ends.

Maintain elevator as prescribed in the below periodic Actions/Examinations. (See Figure 6)

Figure 6

Reference API 8B Recommended Practice

Every 12 months the equipment **shall** be disassembled to permit the necessary full NDT inspection of all primary load carrying components per ASTM E-709 (see figure 5). Including inspection for excessive wear, cracks, flaws , and deformations.

If any repair work is required, the equipment shall be sent into a Keystone Energy Tool facility for evaluation.

“Performance Load Test” is recommended after 365 days of accumulative use. This test is to verify the function of the equipment to perform under the conditions or in conjunction with other equipment. The Performance Test may consist of loads up to, but not exceeding, the rated load of the equipment.

Tool Maintenance		
ACTION	FREQUENCY	FIG.
Grease Hinge Pin	Daily	6
Lubricate Latch Pin		6
Lubricate Latch Lock Bolt		6
Grease Underside of Lifting Eye		6
Grease Bore and Seating Surface		6
MPI Category III	Every 6 Months	8
MPI Category IV	Every 12 Months	8
Performance Load Test	Every 365 Days “See left”	-

4.0 Repair

The GG series elevators incorporate lock bars to retain the hinge & latch pins. All latch springs operate off the spring stop pin.

DISASSEMBLY PROCEDURE

- Remove the latch lock assembly and latch spring by driving or pressing out the lock bar and driving out the latch pin from the bottom of the elevator.
- Remove the latch lock from the latch by removing the Teflon nut and drive or press out the bolt.
- Remove the hinge pin by driving it out from the bottom of the elevator, shearing the lock bar in the process and remove the latch pin in the same manner. As an alternative method, the lock bar can be drilled in the center, then split by using a chisel and removed. In either case the lock bar must be discarded.
- If either link block is to be replaced, remove the link block bolt and cotter pins.
- If the door lug pin is damaged, drive or press it out from the bottom of the lug.
- Reassemble by reversing the above steps.
- Install new lock bars on hinge and latch pins.
- After assembly, ensure that full spring tension is available to close the latch & lock. The latch spring should contact the spring stop pin which in turn transmits the spring force to the latch.
- Check the latch for proper engagement with the door lug pin by holding the body and door apart (such that the latch contacts the lug on the door) and attempt to pry the latch open. After minimal of the latch the hook on the latch should engage with the door lug pin stopping the travel of the latch.
- Check link block bolts, nuts, and cotter pins.

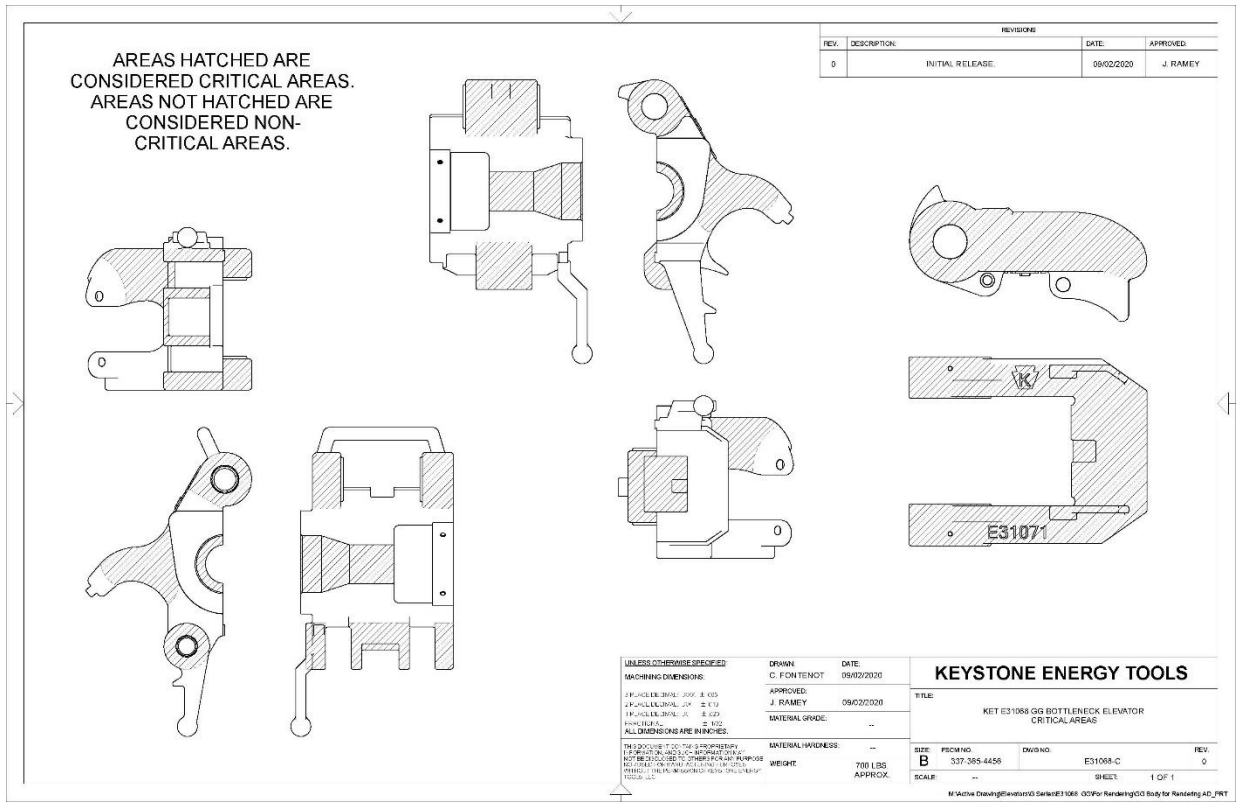
5.0 Critical Areas

We have identified those areas considered critical to tool performance and functionality. These should be examined for repair or replacement. (See Figure 7)

Bodies, doors and latches are specifically matched by trained Keystone Energy Tools professionals. For this reason, a body, door or latch from one elevator should never be exchanged with a body, door, or latch from another elevator.

Illustrated below, are the critical and non-critical areas associated with the subject tool. Critical areas are identified by the shaded areas. All non-shaded areas are considered non-critical.

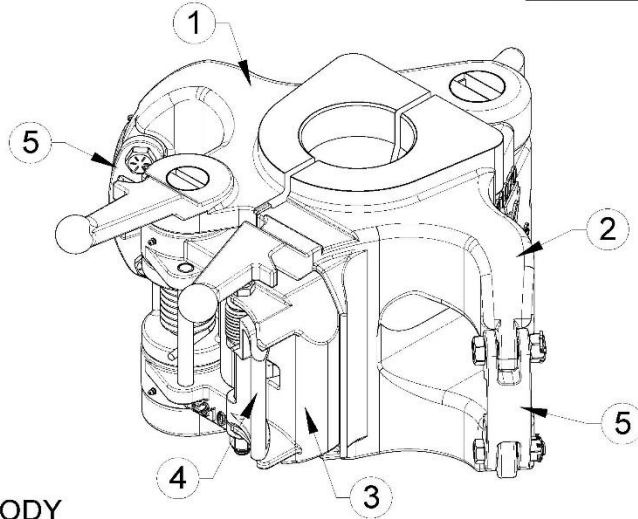
Figure 7



6.0 Elevator Technical Drawings

*NOTE – PAINT CAN NOT EXCEED A THICKNESS OF 0.2mm

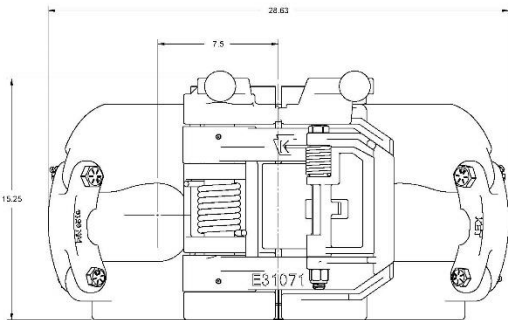
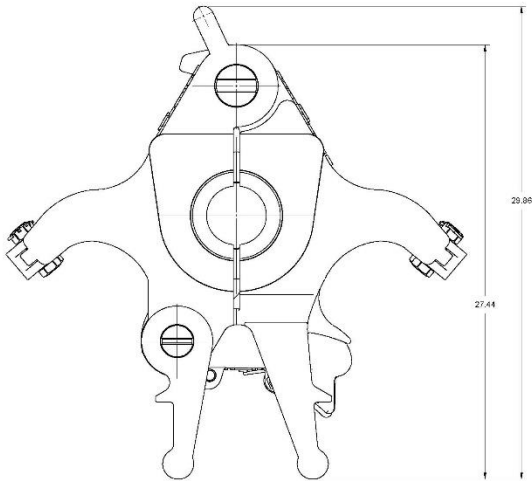
REVISIONS			
REV.	DESCRIPTION	DATE	APPROVED
0	INITIAL RELEASE	09/01/2020	J. RAMEY



- 1. ELEVATOR BODY
- 2. ELEVATOR DOOR
- 3. LATCH
- 4. LATCH LOCK
- 5. LINK BLOCKS

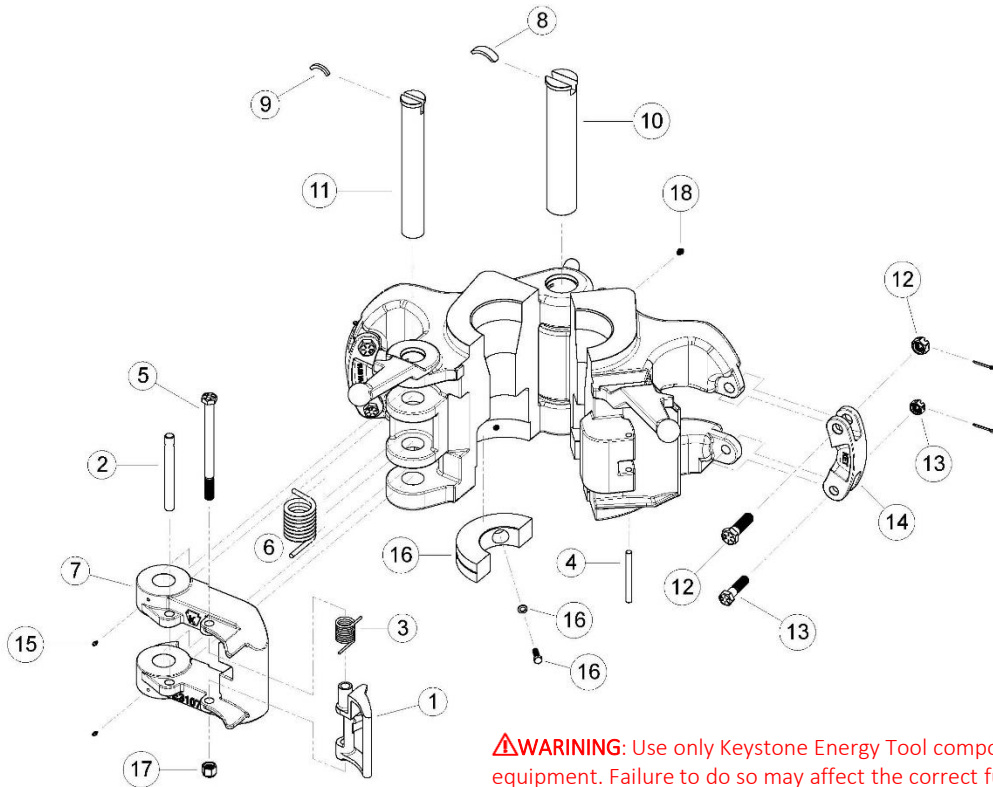
UNLESS OTHERWISE SPECIFIED				KEYSTONE ENERGY TOOLS			
DRAWN: C. FORTENOT		DATE: 09/01/2020		TITLE:		REV:	
MACHINING DIMENSIONS: SP. JACKER DRILL: 300 & 455 SP. JACKER DRILL: 200 & 470 TP. APPROXIMATE: 8 & 470 PROTECTIVE: 0.002 ALL DIMENSIONS ARE IN INCHES.		APPROVED: J. RAMEY		MATERIAL GRADE: ---		KEY E31088 GG BOTTLENECK ELEVATOR MAIN COMPONENTS	
MATERIAL HARDNESS: ---		WEIGHT: 700 LBS APPROX.		SIZE: B PSCM NO.: 337-365-4456		DWG NO.: E31088-A REV: 0	
THE DOCUMENT IS THE PROPERTY OF KEystone ENERGY TOOLS. IT IS TO BE USED ONLY FOR THE PROJECT AND FOR THE PURPOSES SPECIFIED THEREIN. IT IS NOT TO BE REPRODUCED OR TRANSMITTED IN ANY FORM OR BY ANY MEANS, ELECTRONIC OR MECHANICAL, INCLUDING PHOTOCOPYING, RECORDING, OR BY ANY INFORMATION STORAGE AND RETRIEVAL SYSTEM.		SCALE: 1 : 3.5		SHEET: 1 OF 1		M:\Active Drawings\Elevators\G Series\E31088_G0550_AD_ASM	

REVISIONS			
REV.	DESCRIPTION	DATE	APPROVED
0	INITIAL RELEASE	09/01/2020	J. RAMEY



UNLESS OTHERWISE SPECIFIED				KEYSTONE ENERGY TOOLS			
DRAWN: C. FORTENOT		DATE: 09/01/2020		TITLE:		REV:	
MACHINING DIMENSIONS: SP. JACKER DRILL: 300 & 455 SP. JACKER DRILL: 200 & 470 TP. APPROXIMATE: 8 & 470 PROTECTIVE: 0.002 ALL DIMENSIONS ARE IN INCHES.		APPROVED: J. RAMEY		MATERIAL GRADE: ---		KEY E31088-D BOTTLENECK ELEVATOR APPROXIMATE SIZE DIMENSIONS	
MATERIAL HARDNESS: ---		WEIGHT: 700 LBS APPROX.		SIZE: B PSCM NO.: 337-365-4456		DWG NO.: E31088-D REV: 0	
THE DOCUMENT IS THE PROPERTY OF KEystone ENERGY TOOLS. IT IS TO BE USED ONLY FOR THE PROJECT AND FOR THE PURPOSES SPECIFIED THEREIN. IT IS NOT TO BE REPRODUCED OR TRANSMITTED IN ANY FORM OR BY ANY MEANS, ELECTRONIC OR MECHANICAL, INCLUDING PHOTOCOPYING, RECORDING, OR BY ANY INFORMATION STORAGE AND RETRIEVAL SYSTEM.		SCALE: 1 : 1		SHEET: 1 OF 1		M:\Active Drawings\Elevators\G Series\E31088_G0550_AD_ASM	

7.0 GG Replacement Parts



⚠WARNING: Use only Keystone Energy Tool components on equipment. Failure to do so may affect the correct functioning of the tool and may cause injury or death.

ITEM	QTY	PART No.	DESCRIPTION
1	1	E13152	LATCH LOCK
2	1	E13185	SPRING STOP PIN
3	1	E13188	LATCH LOCK SPRING
4	1	E13190	DOOR LUG PIN
5	1	E15101	LATCH LOCK BOLT
6	1	E18416	LATCH SPRING
7	1	E31071	LATCH
8	1	E31074	HINGE PIN RETAINER
9	1	E32892	LATCH PIN RETAINER
10	1	E33998	HINGE PIN
11	1	E33999	LATCH PIN
12	2	E8145-1	UPPER LINK BLOCK BOLT, NUT, & COTTER
13	2	E8145-2	LOWER LINK BLOCK BOLT, NUT, & COTTER
14	2	E9519	LINK BLOCK
15	3	E940308-1	GREASE FITTING
16	1	E200275-*	WEAR GUIDE PLATE ***OPTIONAL***UPON REQUEST***
17	1	E939484-8	LATCH LOCK BOLT & NUT

8.0 Wear Data for GG Elevators

PART NUMBER	E31068
RATED CAPACITY	350 TON

STANDARD PINS

HINGE PIN PART #	E33998
TOTAL CLEARANCE(H)	0.045
HINGE PIN MIN. DIA. NEW	2.490
BORE DIA.MAX. NEW	2.505
BORE DIA.MAX.WORN	2.525

LATCH PIN PART #	E33999
TOTAL CLEARANCE(L)	0.035
LATCH PIN MIN. DIA. NEW	1.865
BORE DIA.MAX.NEW	1.880
BORE DIA.MAX.WORN	1.895

1/16" OVERSIZE PINS

HINGE PIN PART #	E33998-R
TOTAL CLEARANCE(H)	0.045
HINGE PIN MIN. DIA. NEW	2.557
BORE DIA.MAX. NEW	2.565
BORE DIA.MAX.WORN	2.588

LATCH PIN PART #	E33999-R
TOTAL CLEARANCE(L)	0.030
LATCH PIN MIN. DIA. NEW	1.932
BORE DIA.MAX.NEW	1.942
BORE DIA.MAX.WORN	1.959

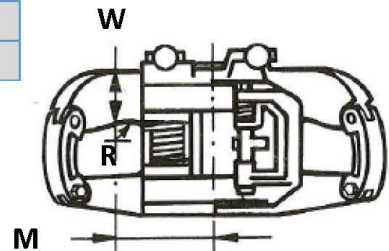
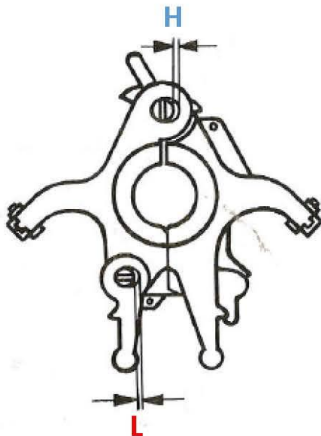
1/8" OVERSIZE PINS

HINGE PIN PART #	E33998-R
TOTAL CLEARANCE(H)	0.045
HINGE PIN MIN. DIA. NEW	2.619
BORE DIA.MAX. NEW	2.627
BORE DIA.MAX.WORN	2.650

LATCH PIN PART #	E33999-R
TOTAL CLEARANCE(L)	0.030
LATCH PIN MIN. DIA. NEW	1.995
BORE DIA.MAX.NEW	1.205
BORE DIA.MAX.WORN	1.222

LIFTING EARS

DIMENSION (W) MIN	4.500
RADIUS -R	1.875
DIMENSION (M)	7.375



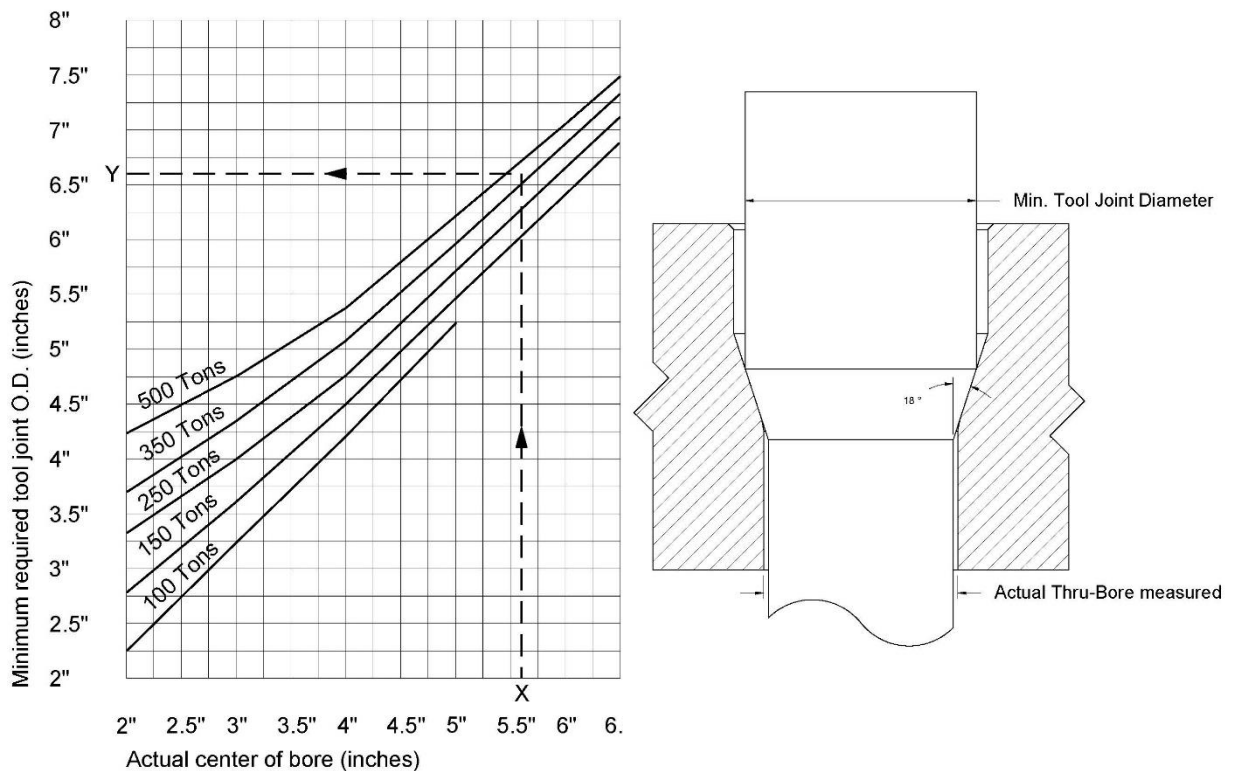
9.0 Wear Data for GG Elevators

TOOLJOINT /BORE WEAR TABLE BOTTLENECK ELEVATORS

How to check your center bore:

1. Determine your actual center bore diameter (largest) in inches (X).
2. Before using your elevator, always check the tooljoint /bore combination by means of the table on the left.
3. Follow the line up to the line corresponding with the rating of your elevator. (Rating in short tons.)
4. Read on the left the minimum required tooljoint diameter in inches that can safely be handled with your elevator (Y).

As soon as your tooljoint diameter falls below the corresponding rating line, you have to change either your elevator or your pipe.



10.0 Reception, Storage, Transport & Decommissioning

Reception

Check the tool immediately after reception and re-preserve the tool as required (try to have this completed within 1 month).

Any exposed or non painted metal surfaces should be coated with a rust preventative to prevent any corrosion build up.

Storage

The tool should be stored or palletized in a clean and dry place to avoid all environmental elements. It is recommended to store in an indoor environment of 60 – 70 Deg F with max humidity of 80%. If the tool is to be stored outdoor, then a cargo container would be appropriate to ensure the tool is not exposed to weather conditions.

Preserve the tool by greasing all areas defined in the maintenance requirements per the manual.

During storage, the tool shall still be inspected annually per inspection requirements in the user's manual.

Transport

When lifting the tool do so only by using its lifting ears only. The best way of transporting the tool is in its original palletized state. Ensure the tool is banded down accordingly to prevent the possibility of potential dropped objects and broken shipments.

Decommissioning

The tool may contain grease, steel, rubbers, plastic, stainless steel, mild steel and several assembled components with undefined consistency or mixtures. The tool can be contaminated with drilling fluids, hydraulic fluids and preservatives. After the tool is decommissioned, it is recommended to disassemble the tool in a place where waste fluids can be contained and properly disposed of.

⚠WARNING: any fluids, mud, or grease are potentially unsafe when in contact with the skin. Always wear gloves and safety goggles when disassembling the tool.

1. Clean the tool with a steam cleaner.
2. It is recommended to disassemble the tool in a place where drainage for waste fluids is possible.

CERTIFICATE OF WARRANTY AND GUARANTEE OF QUALITY

KET warrants all materials and products manufactured to be free from defects in material and workmanship, under normal use and service, when installed, used, and serviced in the manner provided and intended by the seller for a period of twelve (12) months after delivery. Seller's obligation under this warranty is expressly limited to repair or replacement, at its option, of any materials or products, returned to the seller's plant in New Iberia, Louisiana and which are determined by the seller to be defective. All freight charges for return and reshipment shall be paid by the customer. A new warranty period shall not be established for repaired or replaced material or products; such items shall remain under warranty only for the remainder of the warranty period on the original materials or products. This is the sole warranty of the seller and no other warranty is either expressed or implied, in fact or by law, including any warranty at to the merchantability or fitness for a particular use or purpose.

In case of goods or parts not wholly of seller's manufacture, seller shall make available to the customer whatever warranty or guarantee is extended to seller for such goods or parts by the supplier or manufacturer thereof.

Seller will not assume responsibility or liability for any repairs, rebuilding, welding or heat treating done to its material or products outside of seller's plant, such work shall void all warranties. All parts used in the manufacture and /or final assembly of seller's materials or products are necessary for both safety and operational performance. Omission of any part or failure to replace any worn part may result in the malfunction and a consequent safety hazard for which seller disclaims any responsibility or liability for injuries or damage as a result thereof.

Buyer's sole and only remedy in regard to any defective materials or products shall be the repair or replacement thereof as herein provided, and seller shall not be liable for any consequential, special, incidental or punitive damages resulting from or caused by any defective materials, products or supplies.



For more information, please contact us at:

Keystone Energy Tools

3711 Melancon Rd.

Broussard, LA 70518

www.k-e-t.com

Office: 1-337-365-4411

Fax: 1-337-365-4456

Revision History

Revision	Date	Changes
08	05/26/2021	Changed format/added revision history
09	10/15/2021	Added page 7 link block bolt installation
10	05/09/2022	Revised wear data chart
11	07/19/2022	Updated address
12	04/03/2024	Added warning about shock loading