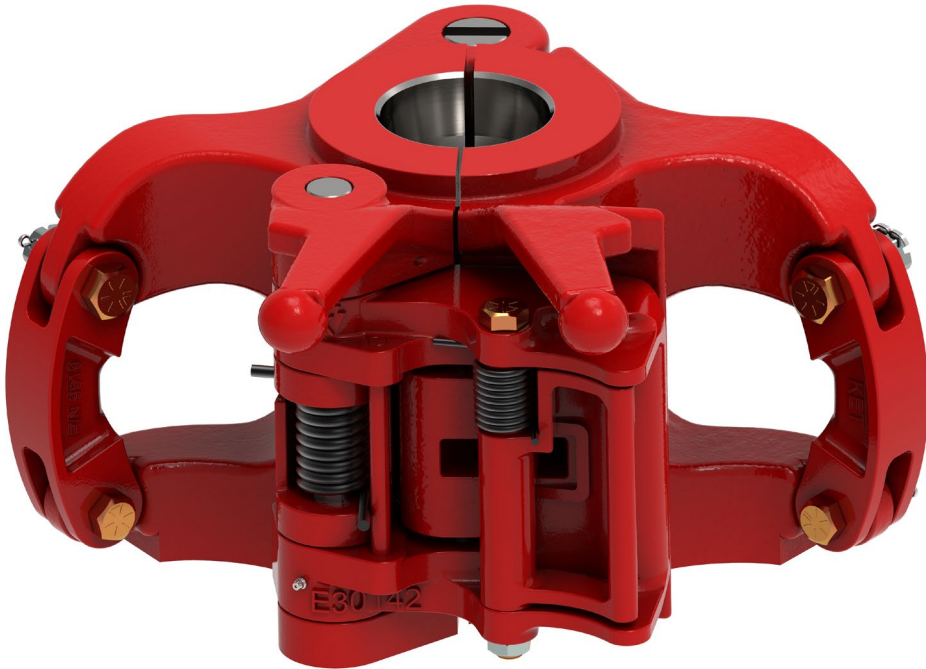




**Keystone**  
ENERGY TOOLS

# THE RG 150 TON BOTTLENECK ELEVATOR OPERATING PROCEDURE MANUAL



# Table of Contents

<b>Table of contents</b>	2
Safety instructions	3
vertical vs horizontal lifts	3
Safety instructions	4
<b>1.0 Introduction</b>	5
Figure 1 – RG model chart	5
CE Marking	5
<b>2.0 Operation</b>	6
Figure 2 – installing bails	6
Figure 3 – operating latch lock	6
Figure 4 – opening elevator	6
<b>3.0 Maintenance &amp; Inspection</b>	7
Figure 5 – maintenance locations	7
<b>3.0 Maintenance &amp; Inspection</b>	8
Figure 6 – maintenance frequency chart	8
<b>4.0 Repair</b>	9
<b>5.0 Critical area drawings</b>	10
Figure 7 – critical area map	10
<b>6.0 Technical drawings</b>	11
<b>7.0 Replacement parts</b>	12
<b>8.0 Wear data</b>	13
<b>9.0 Bore and tool joint wear data</b>	14
<b>10.0 Reception, storage, transport, &amp; decommissioning</b>	15
Certificate of warranty & guarantee of quality	16
Manufacture information & revision history	17

# "RG" SERIES ELEVATOR

## SAFETY INSTRUCTIONS

The most important safety device for this tool is **YOU**. Your good judgment is the best protection against injury.

### ⚠ WARNING



To reduce the risk of injury, everyone using, installing, performing maintenance, changing accessories on, or working near this tool must read and understand these instructions before performing any such task.

### Operating Hazards

**⚠WARNING:** Do not overload the elevator. Overloading the recommended rating could cause series injury or death.

**⚠WARNING:** Check the latch for proper engagement. A malfunctioning latch could cause the elevator to unexpectedly unlatch or not latch at all resulting in injury or death.

**⚠WARNING:** Always ensure that the elevator and bore code are correct for the tubular it is to be used on. Failure to use the proper elevator and bore code could result in injury or death.

**⚠WARNING:** To prevent injury or elevator malfunction, inspect the elevator bore, latch, hinge pin, and latch pin regularly for wear. Failure to inspect these parts could cause injury or death.

**⚠WARNING:** Do not use oversized pipe. Using oversized pipe could make it difficult or impossible to properly latch the elevator.

**⚠WARNING:** Do not use undersized pipe. Using undersized pipe could cause an inadequate load bearing area and uneven stress distribution. Both of which may result in injury or death.

**⚠WARNING:** Do not use the elevator if the latch or latch lock is malfunctioning. Latch or latch lock failure, may result in injury or death.

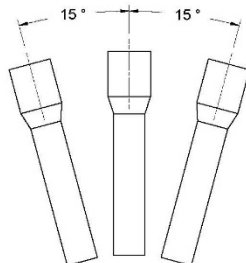
**⚠WARNING:** All warning labels attached to the equipment must be observed. The warning labels must be present on the tool. Do not remove the labels. If they are missing, replacing is mandatory.

**⚠WARNING:** The company operating the tool is responsible for issuing work instructions for safe and proper use of the equipment.

**⚠WARNING:** The operating company is responsible for verifying that any personnel operating, servicing, inspecting, or otherwise involved with the use of the tool must be properly trained correctly.

**⚠WARNING:** The lifting of vertical pipe is to be performed carefully and must be monitored. The picking up of non-horizontal pipe is dangerous and not permitted.

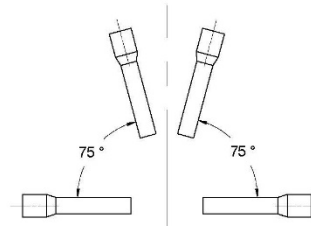
### Vertical / Non-vertical Lifting



Vertical lifting is considered vertical  $\pm 15^\circ$



Non-vertical lifting is considered  $\leq 75^\circ$  as max. from horizon.



DO NOT DISCARD – GIVE TO USER

Keystone ENERGY TOOLS

# "RG" SERIES ELEVATOR

## SAFETY INSTRUCTIONS

The most important safety device for this tool is **YOU**. Your good judgment is the best protection against injury.

### ⚠ WARNING



To reduce the risk of injury, everyone using, installing, performing maintenance, changing accessories on, or working near this tool must read and understand these instructions before performing any such task.

### Workplace Hazards

**⚠ WARNING:** keep hands fingers clear of the elevator bore when installing the elevator around the pipe.

**⚠ WARNING:** Always use the proper tools and wear eye, head, hand, and foot protection when servicing this elevator.

**⚠ WARNING:** Maintain a balanced body position and secure footing.

**⚠ WARNING:** For professional use only.



Read Operation manual before use.



Pay attention: do not place your hands between moving parts.



DO NOT lift from this area.



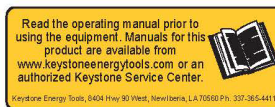
Be careful when lifting from these areas.

### Maintenance Hazards

**⚠ WARNING:** Use only Keystone Energy Tool components on equipment. Failure to do so may affect the correct functioning of the tool and may cause injury or death.

**⚠ WARNING:** KET equipment is made of cast alloy heat treated steel and should never be welded on in the field. Improper welding can cause cracks or brittleness in the castings which could result in drastic weakening or failure of the equipment. Any welding or machining must be performed by an authorized KET or API certified repair center.

**⚠ WARNING:** Improper welding and/or re-machining of cast alloy heat treated steel can cause personnel injury, property damage, or death.



**WARNING:** Only Keystone parts should be used. Elevators are cast alloy heat treated steel and should not be welded in the field. Improper welding can cause cracks and brittleness in heat treated areas which can result in serious weakening of the part and possible failure. Repairs involving welding or machining should be performed only by an authorized Keystone repair facility. Using an elevator that has been improperly welded can cause failure which may result in serious bodily injury or property damage.



DO NOT DISCARD – GIVE TO USER

Keystone ENERGY TOOLS

# 1.0 Introduction

This manual contains operation and maintenance instructions for the Keystone Energy Tools (KET) RG series, bottleneck and center latch elevators for handling 18 degree external upset drill pipe with assembly drawings and complete parts breakdown. It provides a guide for proper field use, disassembling and repair.

(KET) RG series elevators are designed to fit the contour of 18 degree type drill pipe. They are balanced making them easy to handle as well as easy to latch on or take off at any point below the upset of the pipe. RG series elevators are made of high alloy-heat treated steel and designed to meet or exceed API specifications.

The RG elevator is only intended for lifting of vertical pipe and not intended for use on horizontal pipe. (See diagram on page 3). Lifting of horizontal pipe is **NOT PERMITTED** by the manufacturer.

If the operator considers to use the elevator for other operations other than the intended use (for example: lifting of horizontal pipe), it is mandatory to make an additional risk analysis.

The RG series elevators include safety features such as guarded operating handles to help prevent injury to operators and an extra handle at the rear of the elevator for easier, safer operation.

**⚠WARNING:** These handles are the only places the tool can be handled safely during operations.

The RG series elevators incorporate a latch and safety latch lock combination. The size range of the RG elevator is as illustrated in the table provided. (See Figure 1)

Model	Tons	Range
RG	150	2 3/8" – 4 1/2"

Figure 1

**NOTE** ⚠WARNING labels have been installed at critical areas on the tool. Familiarize yourself with their message and locations before proceeding to operate equipment.

See Safety Instructions Page 4

**⚠WARNING:** During use, the elevator should never be run into the tool joints or couplings inducing any type of shock load into the equipment. Shock loads are an impact-type force applied over a short instant of time. In shock loading, the energy of the applied force is ultimately absorbed, or transferred, to the elevator designed to resist the force. The application of shock loads to an elevator can cause shock/fatigue stress loading potentially resulting in premature stress/fatigue failure.



## CE Marking

The tool complies with the Machinery Directive 98/37/EC and 2006/42/EC

This operating manual is a part of the technical documentation for the product.

The EC Declaration of Conformity is delivered together with the product. Keep these instructions and the associated documents for later use.

## 2.0 Operation

As with any manual operated elevator, the RG series is easily installed by the user. Perform the actions described below after the elevator is hoisted to the rig floor and properly positioned.

- Remove cotter pins and nuts from the link block bolts and then remove the bolts from the elevator.
- Lift the bottom of the link blocks and hook the small end of the links through the link blocks and link arms. (See figure 3)
- Lower the link blocks and re-install the link block bolts, nuts and cotter pins.

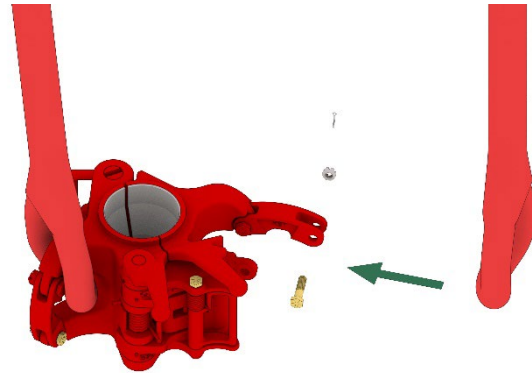


Figure 2

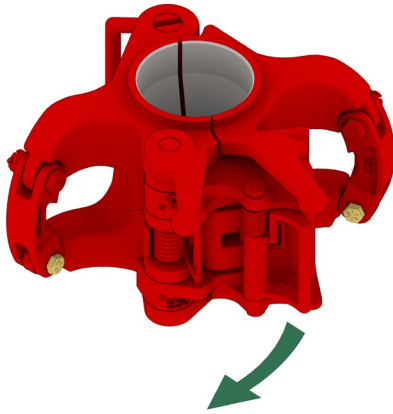


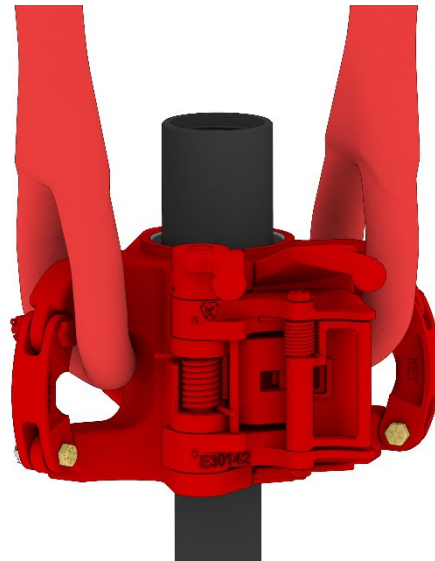
Figure 3



Figure 4

The operation of the RG series elevator is straightforward.

The door is opened by gripping the latch lock and pulling outward. This automatically releases the latch and latch lock assembly so the elevator can be positioned on the pipe. When the elevator is properly closed around the pipe, the latch locks automatically. (See Figure 4 & 5)





# 3.0 Maintenance & Inspection

Below is a diagram of each elevator maintenance location located on the RG elevator. See figure 6.

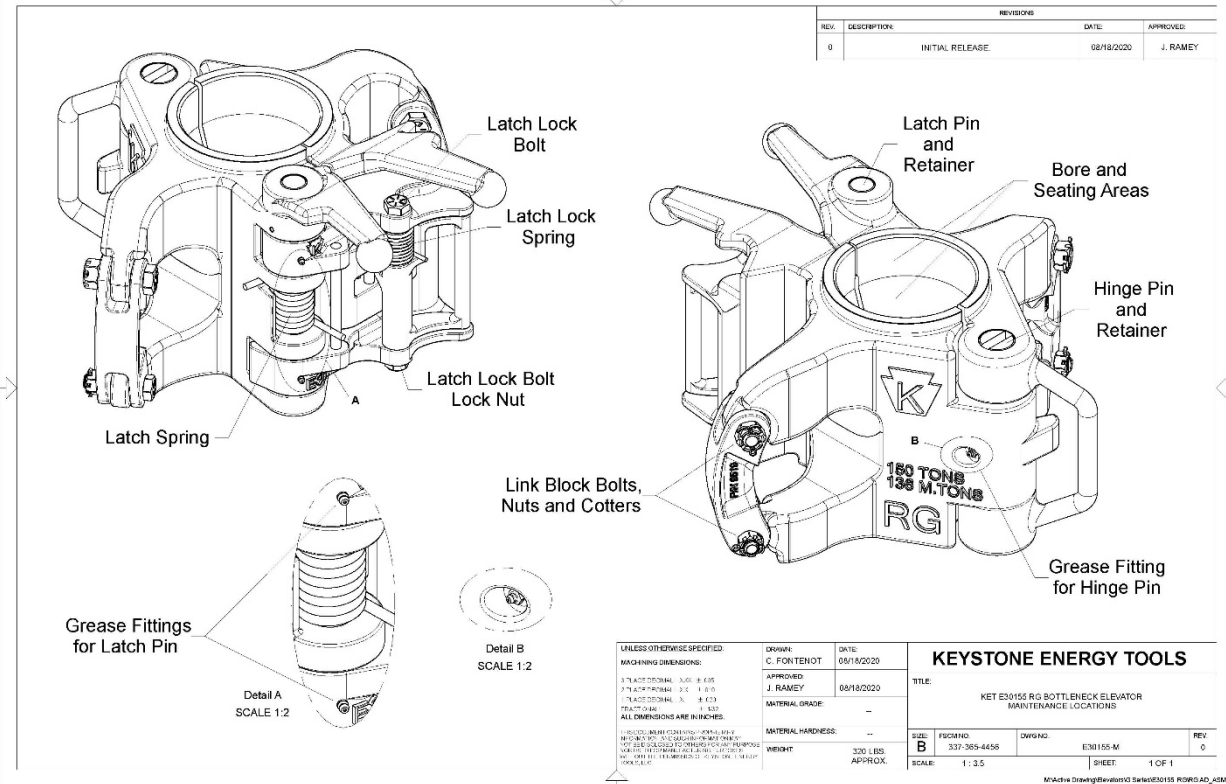


Figure 5

To ensure optimum performance, perform the below-listed daily checks.

- Visually inspects for cracks, loose fits or connections, elongation of parts, and other signs of wear, corrosion or overloading.
- Loose or missing components, deterioration, proper lubrication, and adjustment.
- Check for worn hinge pin, latch pin and latch lock pin. These may inhibit proper closing of the door and latch lock engagement.
- Check for proper operation of Latch Stop mechanism. Latch should not stop against the door when closed but have no more than 1/4" of standoff from the door. Check springs for damage, deformation, and lack of tension.
- Check link block bolts for nuts and cotter pins.

# 3.0 Maintenance & Inspection

The owner/user of the equipment should develop schedules of inspection based upon experience, manufactures recommendations, and one or more of the following factors:

- ▶ Environment
- ▶ Load Cycles
- ▶ Regulatory requirements
- ▶ Operating time
- ▶ Testing
- ▶ Repairs
- ▶ Remanufacture

**Proof Load Test** shall be performed only once following manufacture or remanufacture. This is by applying a load equal to 1.5 times the rated load for a period no less than 5 min. A proof load test shall be followed by surface NDT no earlier than 24 hrs. after proof of testing.

Lubricate the elevator regularly during usage and storage to prevent corrosion. Use an extreme pressure, multi-purpose, lithium base grease of No. 1 or No. 2 consistency or a lubricant that meets MIL-SPEC-A907E.

\*\*\*When greasing of pins make sure the pump grease until it comes out of both ends.\*\*\*

Maintain elevator as prescribed in the below periodic Actions/Examinations. (See Figure 6)

Figure 6

*Reference API 8B Recommended Practice*

Every 12 months the equipment **shall** be disassembled to permit the necessary full NDT inspection of all primary load carrying components per ASTM E-709 (see figure 5). Including inspection for excessive wear, cracks, flaws , and deformations.

**If any repair work is required, the equipment shall be sent into a Keystone Energy Tool facility for evaluation.**

“**Performance Load Test**” is recommended after 365 days of accumulative use. This test is to verify the function of the equipment to perform under the conditions or in conjunction with other equipment. The Performance Test may consist of loads up to, but not exceeding, the rated load of the equipment.

Tool Maintenance		
ACTION	FREQUENCY	FIG.
Grease Hinge Pin	Daily	6
Lubricate Latch Pin		6
Lubricate Latch Lock Bolt		6
Grease Underside of Lifting Eye		6
Grease Bore and Seating Surface		6
MPI Category III	Every 6 Months	8
MPI Category IV	Every 12 Months	8
Performance Load Test	Every 365 Days “See left”	-



# 4.0 Repair

The RG series elevators incorporate lock bars to retain the hinge & latch pins. All latch springs operate off the spring stop pin.

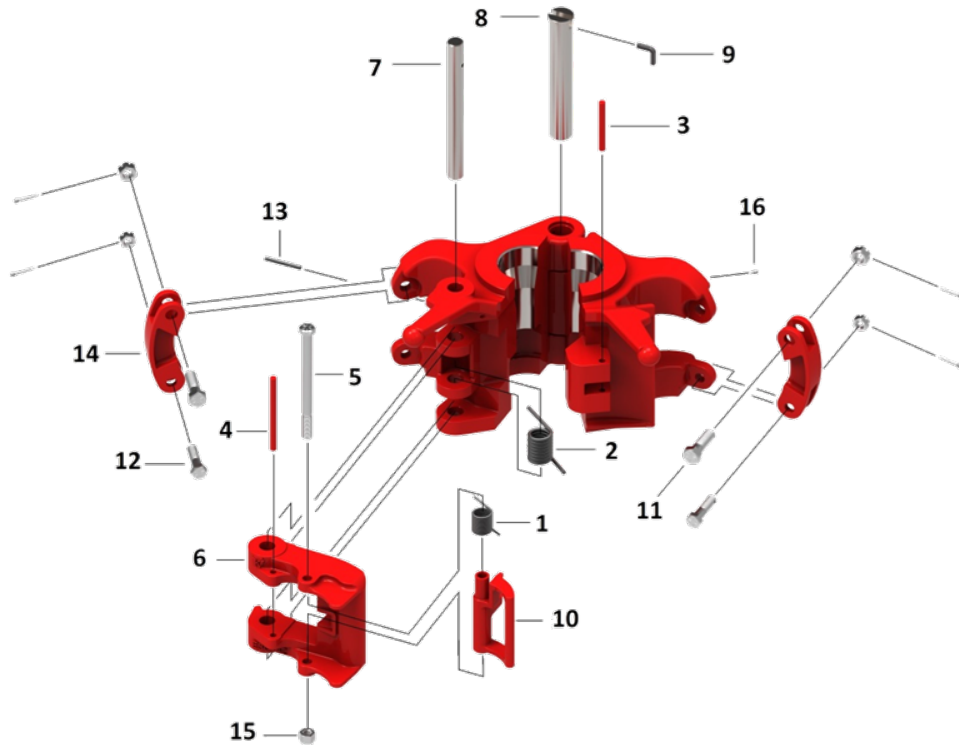
## DISASSEMBLY PROCEDURE

- Remove the latch lock assembly and latch spring by driving or pressing out the lock bar and driving out the latch pin from the bottom of the elevator.
- Remove the latch lock from the latch by removing the Teflon nut and drive or press out the bolt.
- Remove the hinge pin by driving it out from the bottom of the elevator, shearing the lock bar in the process and remove the latch pin in the same manner. As an alternative method, the lock bar can be drilled in the center, then split by using a chisel and removed. In either case the lock bar must be discarded.
- If either link block is to be replaced, remove the link block bolt and cotter pins.
- If the door lug pin is damaged, drive or press it out from the bottom of the lug.
- Reassemble by reversing the above steps.
- Install new lock bars on hinge and latch pins.
- After assembly, ensure that full spring tension is available to close the latch & lock. The latch spring should contact the spring stop pin which in turn transmits the spring force to the latch.
- Check the latch for proper engagement with the door lug pin by holding the body and door apart (such that the latch contacts the lug on the door) and attempt to pry the latch open. After minimal of the latch the hook on the latch should engage with the door lug pin stopping the travel of the latch.
- Check link block bolts, nuts, and cotter pins.





# 7.0 Replacement Parts



ITEM	QTY	PART No.	DESCRIPTION
1	1	E13188	LATCH LOCK SPRING
2	1	E23546	LATCH SPRING
3	1	E23547	LATCH LUG PIN
4	1	E23548	SPRING STOP PIN
5	1	E23553	LATCH LOCK BOLT & NUT
6	1	E30142	LATCH
7	1	E30148	LATCH PIN
8	1	E30149	HINGE PIN
9	1	E30149-RT	HINGE PIN RETAINER
10	1	E30150	LATCH LOCK
11	2	E8145-1	UPPER LINK BLOCK BOLT, NUT, & COTTER
12	2	E8145-2	LOWER LINK BLOCK BOLT, NUT, & COTTER
13	1	E8156	ROLL PIN
14	2	E9519-1	LINK BLOCK
15	1	E939484-8	LATCH LOCK NUT
16	1	E940308-1	GREASE ZERT
17	1	E939484-8	LATCH LOCK BOLT & NUT

**⚠WARNING:** Use only Keystone Energy Tool components on equipment. Failure to do so may affect the correct functioning of the tool and may cause injury or death.

# 8.0 Wear Data for RG Elevators

PART NUMBER	E30155
RATED CAPACITY	150 TON

## STANDARD PINS

HINGE PIN PART #	E30149
TOTAL CLEARANCE(H)	0.030
HINGE PIN MIN. DIA. NEW	1.745
BORE DIA.MAX. NEW	1.755
BORE DIA.MAX.WORN	1.770

LATCH PIN PART #	E30148
TOTAL CLEARANCE(L)	0.030
LATCH PIN MIN. DIA. NEW	1.240
BORE DIA.MAX.NEW	1.258
BORE DIA.MAX.WORN	1.270

## 1/16" OVERSIZE PINS

HINGE PIN PART #	E30149-R
TOTAL CLEARANCE(H)	0.030
HINGE PIN MIN. DIA. NEW	1.807
BORE DIA.MAX. NEW	1.814
BORE DIA.MAX.WORN	1.833

LATCH PIN PART #	E30148-R
TOTAL CLEARANCE(L)	0.030
LATCH PIN MIN. DIA.	1.307
BORE DIA.MAX.NEW	1.314
BORE DIA.MAX.WORN	1.333

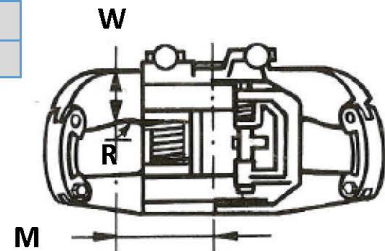
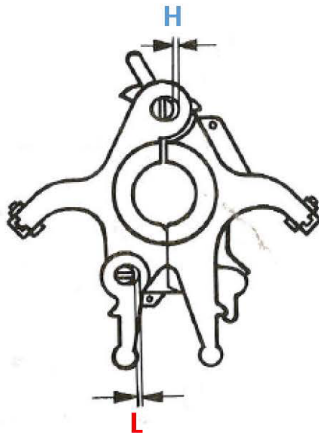
## 1/8" OVERSIZE PINS

HINGE PIN PART #	E30149-R
TOTAL CLEARANCE(H)	0.030
HINGE PIN MIN. DIA. NEW	1.870
BORE DIA.MAX. NEW	1.877
BORE DIA.MAX.WORN	1.895

LATCH PIN PART #	E30148-R
TOTAL CLEARANCE(L)	0.030
LATCH PIN MIN. DIA. NEW	1.370
BORE DIA.MAX.NEW	1.377
BORE DIA.MAX.WORN	1.395

## LIFTING EARS

DIMENSION (W) MIN	3.750
RADIUS -R	1.625
DIMENSION (M)	6.375



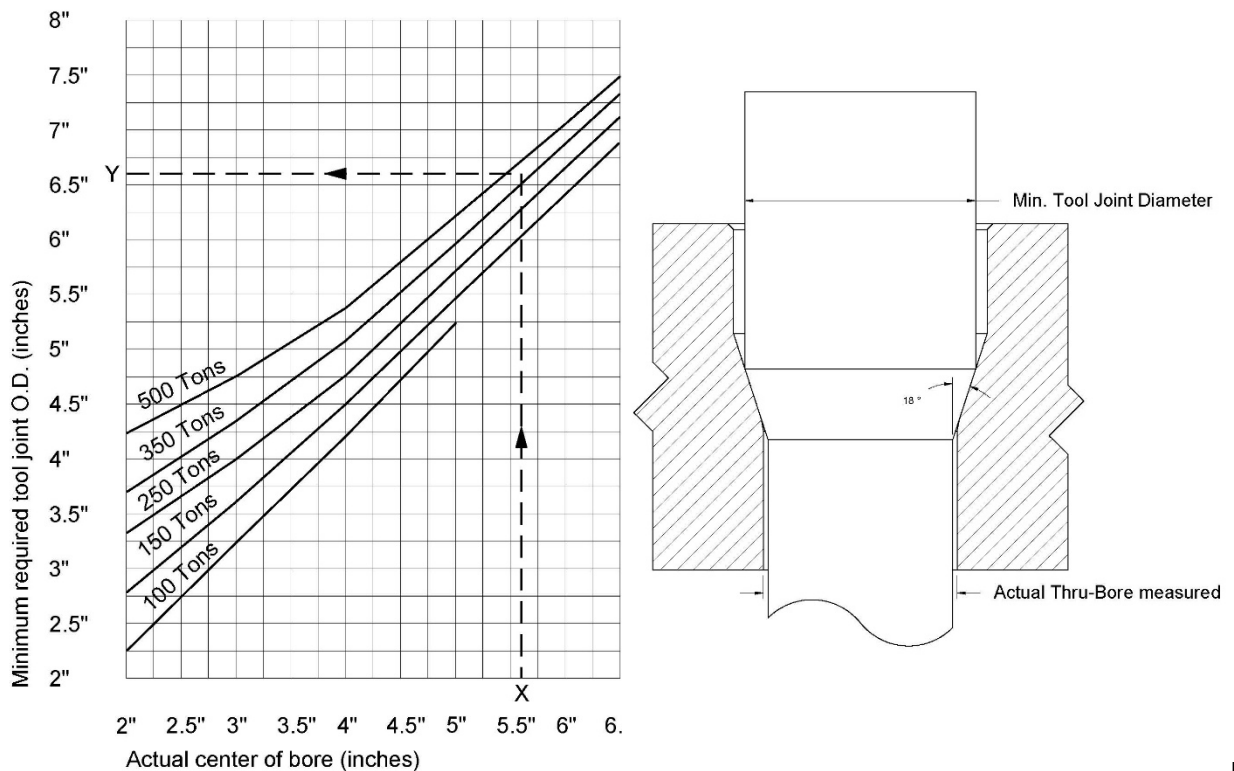
# 9.0 Wear Data for RG Elevators

## TOOLJOINT /BORE WEAR TABLE BOTTLENECK ELEVATORS

How to check your center bore:

1. Determine your actual center bore diameter (largest) in inches (X).
2. Before using your elevator, always check the tooljoint /bore combination by means of the table on the left.
3. Follow the line up to the line corresponding with the rating of your elevator. (Rating in short tons.)
4. Read on the left the minimum required tooljoint diameter in inches that can safely be handled with your elevator (Y).

As soon as your tooljoint diameter falls below the corresponding rating line, you have to change either your elevator or your pipe.





# 10.0 Reception, Storage, Transport & Decommissioning

## Reception

Check the tool immediately after reception and re-preserve the tool as required (try to have this completed within 1 month).

Any exposed or non painted metal surfaces should be coated with a rust preventative to prevent any corrosion build up.

## Storage

The tool should be stored or palletized in a clean and dry place to avoid all environmental elements. It is recommended to store in an indoor environment of 60 – 70 Deg F with max humidity of 80%. If the tool is to be stored outdoor, then a cargo container would be appropriate to ensure the tool is not exposed to weather conditions.

Preserve the tool by greasing all areas defined in the maintenance requirements per the manual.

During storage, the tool shall still be inspected annually per inspection requirements in the user's manual.

## Transport

When lifting the tool do so only by using its lifting ears only. The best way of transporting the tool is in its original palletized state. Ensure the tool is banded down accordingly to prevent the possibility of potential dropped objects and broken shipments.

## Decommissioning

The tool may contain grease, steel, rubbers, plastic, stainless steel, mild steel and several assembled components with undefined consistency or mixtures. The tool can be contaminated with drilling fluids, hydraulic fluids and preservatives. After the tool is decommissioned, it is recommended to disassemble the tool in a place where waste fluids can be contained and properly disposed of.

**⚠WARNING:** any fluids, mud, or grease are potentially unsafe when in contact with the skin. Always wear gloves and safety goggles when disassembling the tool.

1. Clean the tool with a steam cleaner.
2. It is recommended to disassemble the tool in a place where drainage for waste fluids is possible.

## CERTIFICATE OF WARRANTY AND GUARANTEE OF QUALITY

KET warrants all materials and products manufactured to be free from defects in material and workmanship, under normal use and service, when installed, used, and serviced in the manner provided and intended by the seller for a period of twelve (12) months after delivery. Seller's obligation under this warranty is expressly limited to repair or replacement, at its option, of any materials or products, returned to the seller's plant in New Iberia, Louisiana and which are determined by the seller to be defective. All freight charges for return and reshipment shall be paid by the customer. A new warranty period shall not be established for repaired or replaced material or products; such items shall remain under warranty only for the remainder of the warranty period on the original materials or products. This is the sole warranty of the seller and no other warranty is either expressed or implied, in fact or by law, including any warranty at to the merchantability or fitness for a particular use or purpose.

In case of goods or parts not wholly of seller's manufacture, seller shall make available to the customer whatever warranty or guarantee is extended to seller for such goods or parts by the supplier or manufacturer thereof.

Seller will not assume responsibility or liability for any repairs, rebuilding, welding or heat treating done to its material or products outside of seller's plant, such work shall void all warranties. All parts used in the manufacture and /or final assembly of seller's materials or products are necessary for both safety and operational performance. Omission of any part or failure to replace any worn part may result in the malfunction and a consequent safety hazard for which seller disclaims any responsibility or liability for injuries or damage as a result thereof.

Buyer's sole and only remedy in regard to any defective materials or products shall be the repair or replacement thereof as herein provided, and seller shall not be liable for any consequential, special, incidental or punitive damages resulting from or caused by any defective materials, products or supplies.



*For more information, please contact us at:*

**Keystone Energy Tools**

3711 Melancon Rd.

Broussard, LA 70518

[www.k-e-t.com](http://www.k-e-t.com)

**Office:** 1-337-365-4411

**Fax:** 1-337-365-4456

**Revision History**

Revision	Date	Changes
01	05/26/2021	Initial Release/removed from old manual
02	05/09/2022	Revised wear data chart
03	07/19/2022	Updated address
04	04/03/2024	Added warning for shock loading